

# Activolve®

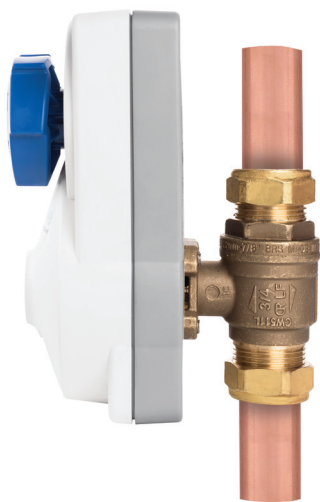
Auto Water Shut-Off

## Features:

- **Automatic shut off:** **Activolve** is temperature sensitive, so will automatically turn the mains water supply off if temperature drops low enough for pipes to freeze and rupture.
- **Easy to operate:** **Activolve** uses a unique gearing system which enables easy operation, a child could turn off the mains water in seconds.
- **Easy to identify:** **Activolve** is instantly identifiable as your mains water control.
- **Visual ON - OFF indicator:** **Activolve** has a status indicator window which shows if it is on or off at a glance.
- **Powerless operation:** **Activolve** operates without the need for power or battery back up... ever!
- **5 years warranty\***
- **Patented:** innovative design, unique in the market, fears no comparison.



## “Easy to install - Easy to operate”



RUB s468

Bracket

Activolve®

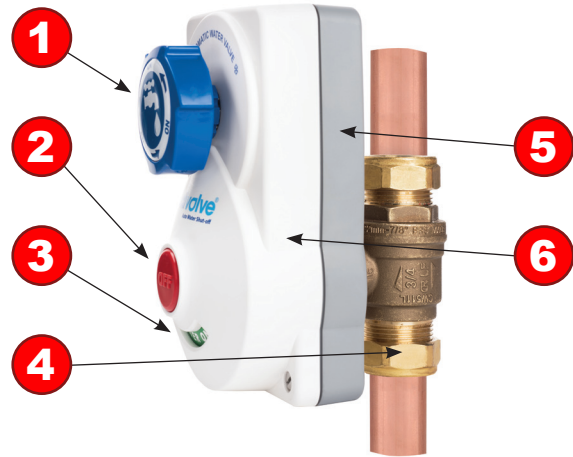


- 1 Replace existing water main valve with the **Activolve** ball valve. Test for water tightness.
- 2 Fit the mounting plate to the ball valve using the four screws provided.
- 3 Fit the **Activolve** unit to the mounting plate by hooking the top over the plate and securing at the bottom using the two screws provided.

\*See **RUB** terms & conditions

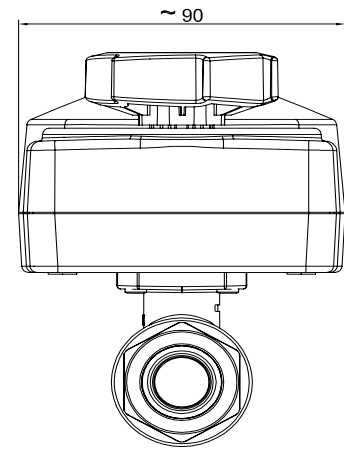
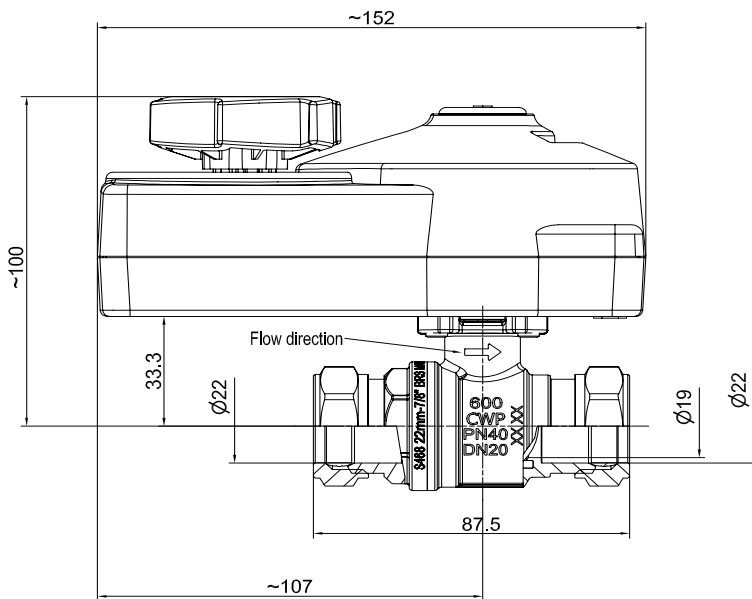
### Technical specifications:

1. **Valve wheel:** rotate counter clockwise to open valve.
2. **OFF button:** simply push button to turn water off.
3. **ON - OFF indicator:** indicator window shows if water is ON or OFF at a glance.
4. **Valve:** s.468 full port shut off ball valve
5. **Temperature sensor:** manufactured in compliance to ISO 9001:2008 & AS 9100 - aerospace quality system standard
6. **Spring:** highest quality stainless steel spring



### Actuator dimensions :

Dimensions are in mm



**RuB** endeavors to provide comprehensive information about the installation, maintenance and operation of its products. For more details or clarification, please contact us. **RuB** reserves the right to change or modify product design, construction, specifications, materials or the information herein without prior notice and without incurring any obligation to make such changes and modifications on **RuB** products previously or subsequently sold. Content of this document is proprietary to **RuB** and it may not be copied in part or in whole without prior written authorization from **RuB**. Recommendations on application design and material selection are based on available technical data and are offered as suggestions only. Pressure and temperature ranges are for generic use of the products. Each user should make his/her own tests to determine the suitability for his/her own particular use. **RuB** offers no express or implied warranties concerning the form, fit, or function of a product in any application. **RuB** does not accept liability for errors or omissions. Any undated reference to a code or standard shall be interpreted as referring to the latest edition. **RuB** and logo are registered trademarks of **Rubinetteria utensilerie BONOMI srl**. Other logos are property of respective owners.

XCESCV - Rev: 3992