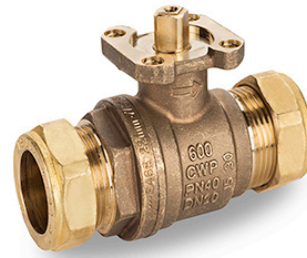


s.468 DZR and LF compression ends

full port 22 mm dezincification-resistant and lead free
hot forged ball valve for actuation



Quality

- 100% seal test guaranteed
- Arrow on the valve body clearly shows the flow direction
- No metal-to-metal moving parts
- No maintenance ever required
- Stem clearly shows ball position
- Silicone-free lubricant on all seals
- Chrome plated DZR and lead free brass ball for longer life and with anti-freeze function

Body

- Hot forged sand blasted DZR and lead free unplated body and cap sealed with Loctite® or equivalent thread sealant
- Dezincification-resistant and lead free brass in compliance with HCACL Hygienic copper alloy composition (UBA list)

Stem

- Two EPDM O-rings at the stem for maximum safety
- Blowout-proof unplated DZR and lead free brass stem

Sealing

- EPDM seats for lower torque

Upon request

- Custom design

Approved by or in compliance with

- Water Regulations Advisory Scheme (United Kingdom)
- Certified by CSA International for Drinking Water to NSF/ANSI 372 (USA)

NOTE: approvals apply to specific configurations/sizes only.

Threads

- Compression ends to EN 1254-2

Flow

- Full port to DIN 3357 for maximum flow

Handle

- Integrated sturdy ISO 5211 flange allows direct mounting of electric and pneumatic actuators, with no bracket or coupling required. See **RuB** line of electric and pneumatic actuators.

Working pressure & temperature

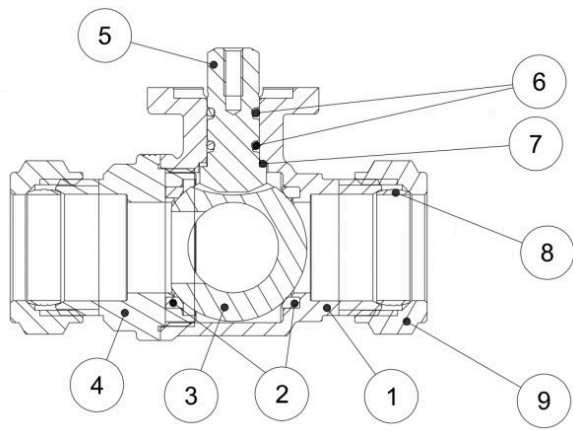
- Shell rating: 40 Bar (600 PSI) non-shock cold working pressure
- Seat rating/compression ends: 16 Bar max (230 PSI max) non-shock cold working pressure (see chart for pressure/temperature limits)
- -20°C (-4°F)/+120°C (+250°F)
- **WARNING:** freezing of the fluid in the installation may severely damage the valve

Options

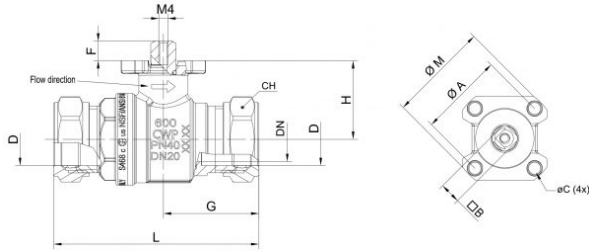
- S.468 DZR and lead free 7/8" compression ends
- Rack and pinion pneumatic actuator (spring return or double acting)
- Compact power electric actuator
- Manual lockable handle

PED directive

- The product described in this document meets the requirements of PED Directive 2014/68/UE and according to art.4 par.3, it does not require CE marking



	PART DESCRIPTION	Q.TY	MATERIAL
1	Unplated body	1	CW511L
2	Seat	2	EPDM
3	Chrome plated ball	1	CW511L
4	Unplated end-cap	1	CW511L
5	Unplated stem	1	CW511L
6	O-Ring	2	EPDM
7	Washer	1	PTFE carbon filled 25%
8	Olive	2	CW508L
9	Unplated nut	2	CW617N



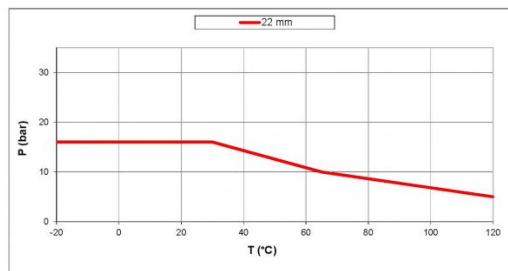
DN shows the nominal flow diameter. Actual flow diameter complies with full port DIN 3357 part 4.

Code	S468E22
D (inch)	22
DN(mm)	19
L (mm)	87.5
G (mm)	40.7
H (mm)	33.5
ØA (mm)	36
ØC (mm)	Ø5.2 (M6)
Square B (mm)	9
ØM (mm)	43.4
F (mm)	8.3
CH (mm)	32

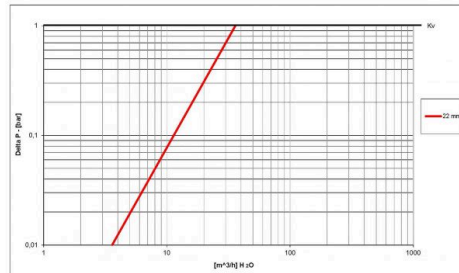
Torque for actuator sizing N.m

Delta P	0÷6 Bar	6÷16 Bar
Valve size	to open/to close	to open/to close
22 mm	2.5	3

Pressure-temperature chart



Pressure drop chart



Ask for additional information on the whole range of RuB products and consult with your supplier for special applications.

RuB endeavors to provide comprehensive information about the installation, maintenance and operation of its products. For more details or clarification, please contact us. **RuB** reserves the right to change or modify product design, construction, specifications, materials or the information herein without prior notice and without incurring any obligation to make such changes and modifications on **RuB** products previously or subsequently sold. Content of this document is proprietary to **RuB** and it may not be copied in part or in whole without prior written authorization from **RuB**. Recommendations on application design and material selection are based on available technical data and are offered as suggestions only. Pressure and temperature ranges are for generic use of the products. Each user should make his/her own tests to determine the suitability for his/her own particular use. **RuB** offers no express or implied warranties concerning the form, fit, or function of a product in any application. **RuB** does not accept liability for errors or omissions. Any undated reference to a code or standard shall be interpreted as referring to the latest edition. **RuB** and logo are registered trademarks of **Rubnetterie utensilerie BONOMI srl**. Other logos are property of respective owners.

XCES468 - 3992